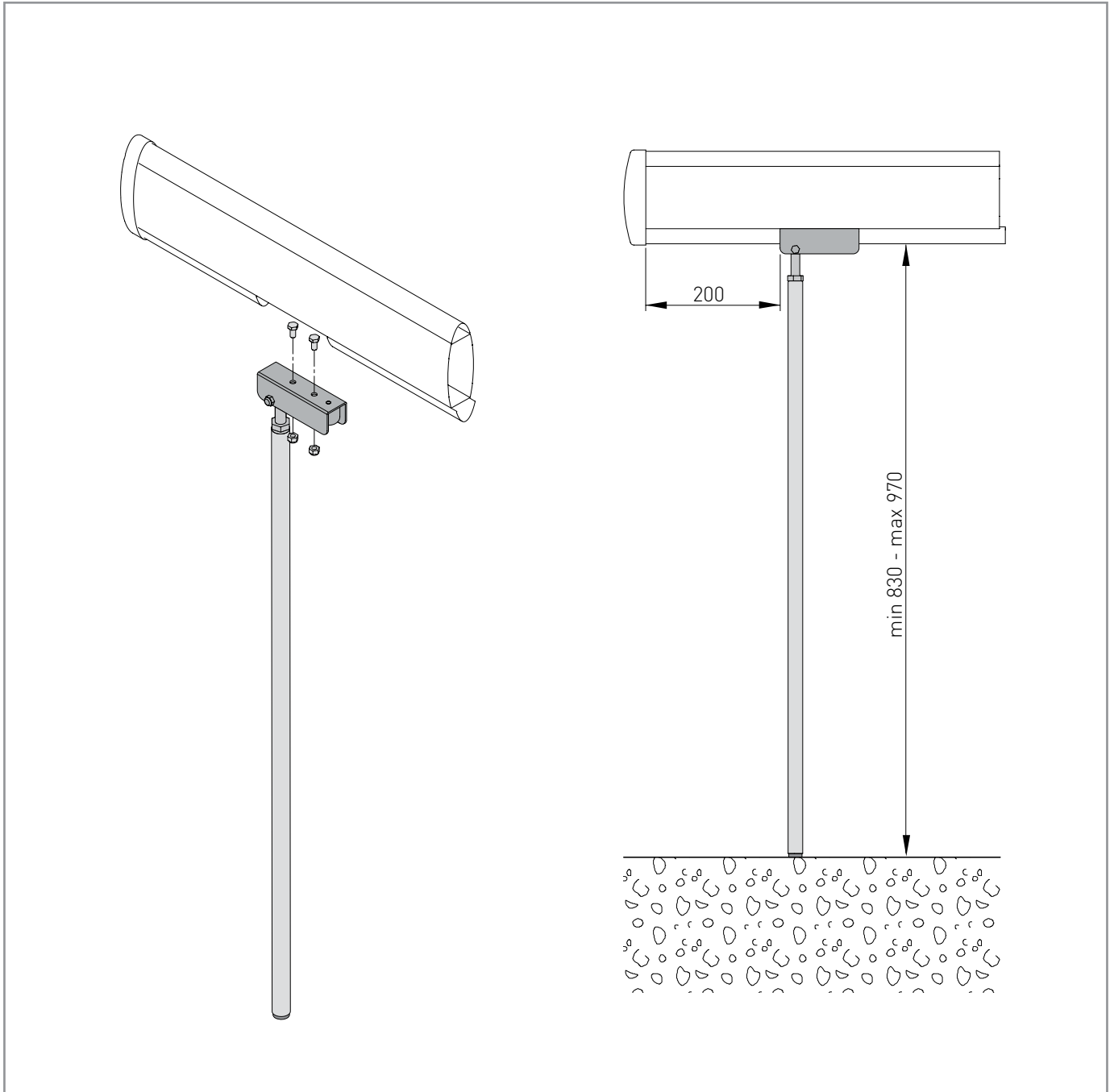


Ditec QIKAM

IP1884 • 2015-09-07

Manuale di installazione appoggio mobile QIKAM.
Installation manual for QIKAM mobile bearing.



Entrematic Group AB
Lodjursgatan 10
SE-261 44, Landskrona
Sweden
www.ditecentrematic.com